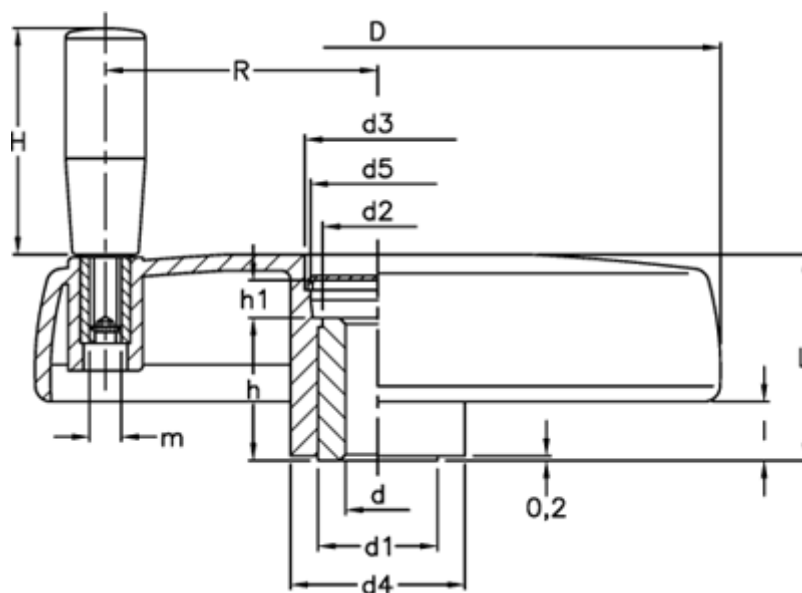


Article number: 2301072702
 Description: E+G Handwheel
 VDS.125+I-A14

Measures



| | |
|---------------|------------|
| C (N m) = 125 | H = 56 |
| D = 125 | h = 27 |
| d1 = 26 | h1 = 8 |
| d2 = 24.0 | l = 11 |
| d3 = 31.0 | L = 39 |
| d4 = 35 | L (J) = 25 |
| d5 = 28 | m = M6 |
| d H7 = 14 | R = 49.0 |